

4-CH 1080P Dual SD Card Mobile DVR



QH-MDVR7104SH

Key Features

4 channel 1080P Dual SD Card mobile DVR;

- H.264/H.265 high profile. Industrial good vibration absorber and heat-dissipated level design.
- High extendibility mobile digital video recorder (MDVR);
- Developed especially for vehicle monitoring and remote video surveillance.
- It adopts high-speed processor HI3520D V400 and an embedded Linux system,
- 3G/4G network, GPS/BD, and WIFI.
- It supports 1080p,720P D1, resolution video recording, vehicle driving record and video remote uploading.
- The central software can do central remote monitoring based on alarm linkage.
- vehicle intelligent dispatch management and playback analysis based on a central database.
- This device is competitive in anti-vibration, more rich function,
- high reliability, concise appearance, and simple to deploy.
- Product size:138x135.5x36.5mm.

Tel: 0086-755-88832758 **Fax:** 0086-755-61624570 **Website:** www.qohovisions.com

Email: sales@qohocctv.com **Skype:** qohocctv : qohovisions

Factory Address: 12/F,C area, HuiLongDa Industrial Park,Shiyan street,
Baoan district,Shenzhen city, Guangdong province, China.





Specification

System	Language	English / Chinese/others customized
	Operation Interface	Graphical menu operation interface (OSD menu)
	Password security	Permissions setting of administrator & user
OS		Linux3.18
Operating		UI, Cell phone APP, PC client, Remote controller
Functions Summary		Preview, recording, playback, network transmission, positioning, AI analysis, multiple sensor data acquisition.
Audio	Audio Input, Output	3ch audio input; 1ch audio output. 2.0Vp-p, 4.7kΩ
	Compression Format	G.711, G.726
Recording	Storage Medium	Supporting dual SD card for storage, each one max support 256gb
	Video Strategies	Recording at start up by default, supporting timed recording, recording triggered by alarm and event, as well as manual recording
	Alarm pre-recording	0-60min
	Alarm recording delay	0-30min
	Playback Channel	Support local 1/4 channel playback
	Browse mode	Time, channel, event.
Video and Preview	Video Input, Output, Signal standard	AHD input:4ch 1080p/15fps,4ch 720p/30fps,4ch D1/30fps. IPC input:1ch default; Output: 1ch CVBS default, VGA optional Signal standard:1.0Vp-p, 75Ω, NTSC/PAL optional
	OSD	Character superposition function, information superposition of time and date, device ID and GPS, alarm, etc..
	Video Compression Format	Compression coding. Applying H264/H.265 hi-performance processor.
	Image quality	Code stream, frame rate optional
	Preview	1/4channel preview

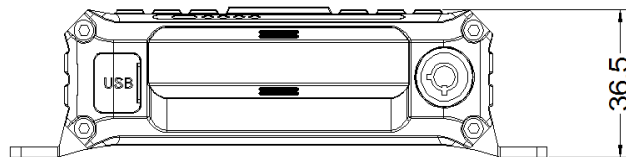
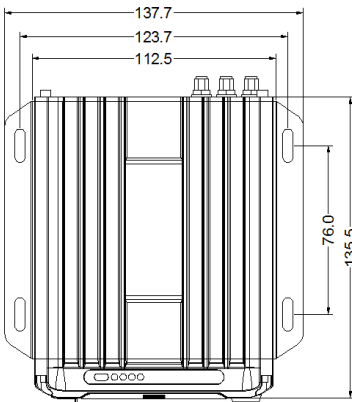
Tel: 0086-755-88832758 **Fax:** 0086-755-61624570 **Website:** www.qohovisions.com
Email: sales@qohocctv.com **Skype:** qohocctv : qohovisions

Factory Address: 12/F,C area, HuiLongDa Industrial Park,Shiyan street,
 Baoan district,Shenzhen city, Guangdong province, China.





Resolution	AHD: 1080P:15fps/1M/2M/4M/6M AHD 1080P:15fps 1024KBPS 20480KBPS 4096KBPS 6144KBPS 720P: 30fps/1M/2M/4M/6M D1:30fps/512K/1M/2M IPC: 1080P: 30fps/1M/2M/4M/6M 720P: 30fps/1M/2M/4M/6M	
Communication Ports	RS232, RS485	
ADAS	Built-in (Optional)	
Wireless Transmission	3/4G wireless transmission module, EVDO/TD-SCDMA/WCDMA/TDD-LTE/FDD-LTE etc.Wi-Fi module, 802.11b/g/n,2.4G/5.8G optional. Wifi Ethernet: Network aviation head(100M)	
Position	GPS/BD: Positioning, speed detection, time synchronization	
Power Supply and Power Consumption	Power Supply	1ACC on/off
	Input Voltage	DC:+8V ~ +36V (please to ensure of safe voltage of vehicle before use; operation over 36V for long time will cause damage to the MDVR)
	Output Voltage	+12V@1A; +5V@1A
	Power Consumption	Max 25W consumption, about 0W in standby mode
Operating Environment	Temperature	preheating: -20°C ~ +70°C
	Humidity	8% to 90%
Software	PC playback	Video files playback in PC with analysis of the vehicle status
	CMSV6	Wireless real-time video & audio monitoring, GPS, alarms, etc.
Software Upgrade	Upgrade through the front USB2.0 & SD card or remote	







Tel: 0086-755-88832758 Fax: 0086-755-61624570 Website: www.qohovisions.com
Email: sales@qohocctv.com Skype: qohocctv : qohovisions

Factory Address: 12/F,C area, HuiLongDa Industrial Park,Shiyan street, Baoan district,Shenzhen city, Guangdong province, China.





This Product can work with:

1080P Car Reverse Camera	7inch Quad Monitor	1080P Starlight camera	1080P High-resolution side camera
			

Tel: 0086-755-88832758 **Fax:** 0086-755-61624570 **Website:** www.qohovisions.com
Email: sales@qohocctv.com **Skype:** qohocctv : qohovisions

Factory Address: 12/F,C area, HuiLongDa Industrial Park,Shiyan street,
Baoan district,Shenzhen city, Guangdong province, China.

